



**SUBMITTAL DRAWING**  
**MD 200R**  
**ROUND MANUAL BALANCING DAMPERS**

**STANDARD CONSTRUCTION**

**FRAME**

20 ga. (.91) galvanized steel. 7" long. (178)

**MAXIMUM TEMPERATURE**

250 deg. F (121 deg. C)

**BLADES**

16 GA (0.062) galvanized steel

**DAMPER SIZES**

4" Minimum  
20" Maximum

**FINISH**

Mill galvanized

**CONTROL SHAFT**

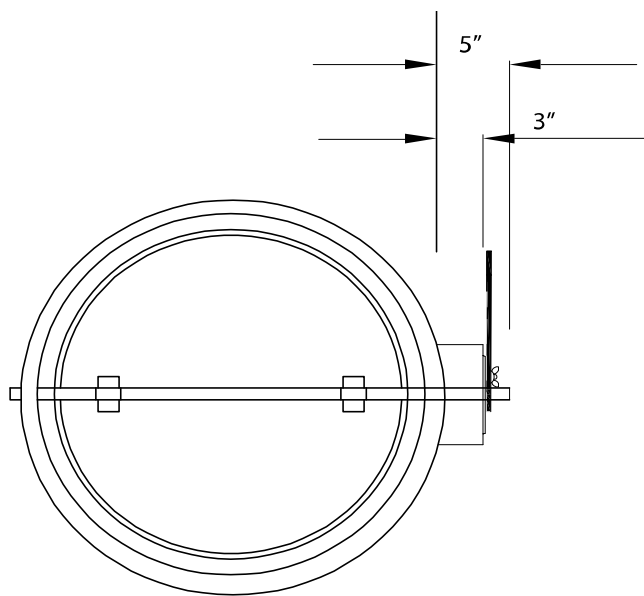
1/2"(0.5) square axle extending beyond frame  
c/w locking hand quadrant

Unit supplied approximately 1/8" (6) smaller  
than given duct diameter.

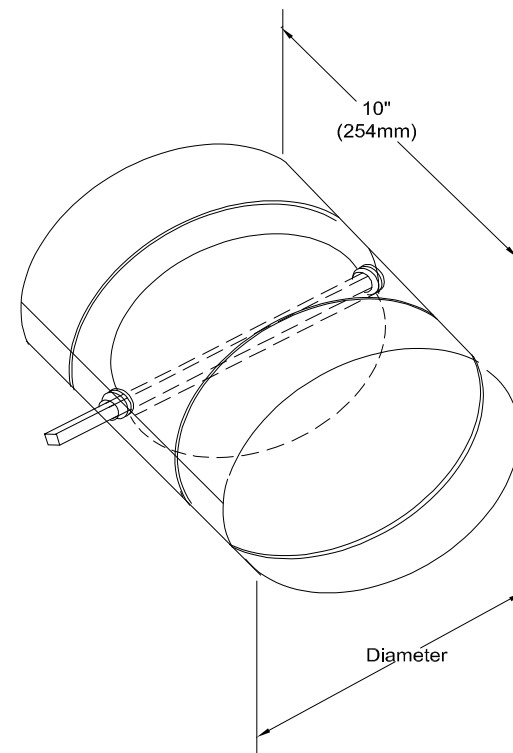
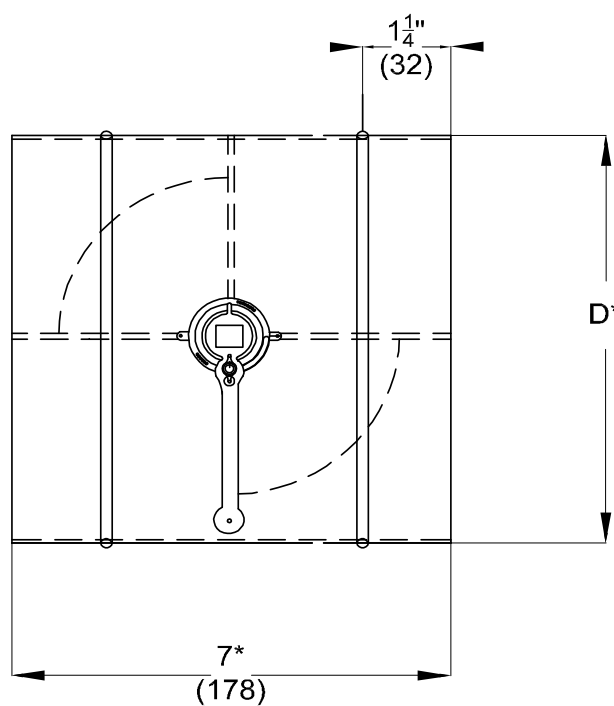
**BEARINGS**

Stainless steel

Dimensions in brackets ( ) indicate millimeters.



Hand Quadrant Stand-Off bracket



Project:  
Location:  
Architect  
Engineer:

Contractor:  
Address:  
P.O. Number:  
Date: