



SUBMITTAL DRAWING FACE AND BYPASS COMBINATION DAMPERS

STANDARD CONSTRUCTION

MINIMUM SIZE

Single blade- 5"w x 5" h (127 x 127)
Two blades, parallel or opposed action, concealed linkage- 5"w x 8" h (127 x 203)
Two blades, parallel or opposed action, exposed linkage- 8"w x 14"h (203 x 356)

MAXIMUM SIZE

Single section - 48" w x 72" h (1219 x 1829)
Multiple sections - unlimited

FINISH

Mill

BEARINGS

Braonze Oilite

LINKAGE

Concealed in frame, Exposed is optional.

FRAME

5" x 16 ga. (127 x 1.6) galvanized steel
channel, reinforced corners equal to 13 ga. (2.28)

BLADES

6" (152) w, 16 ga. (1.6) galvanized steel, approx.
6" on centre.

AXLES

1/2" (13) diameter round machined steel.

TEMPERATURE LIMIT

- 25 deg. F, (-32 deg, C) minimum and + 180 deg. F
(+83 deg. C) maximum.

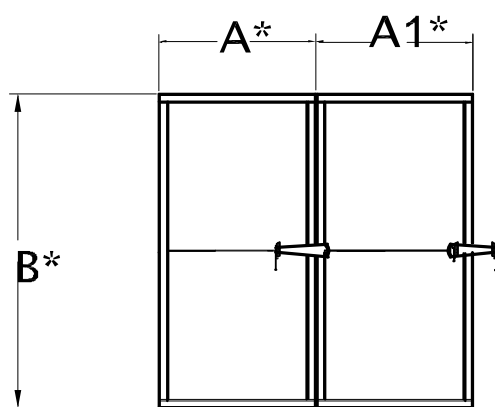
OPTIONS:

- Opposed Blade
- Parallel Blade

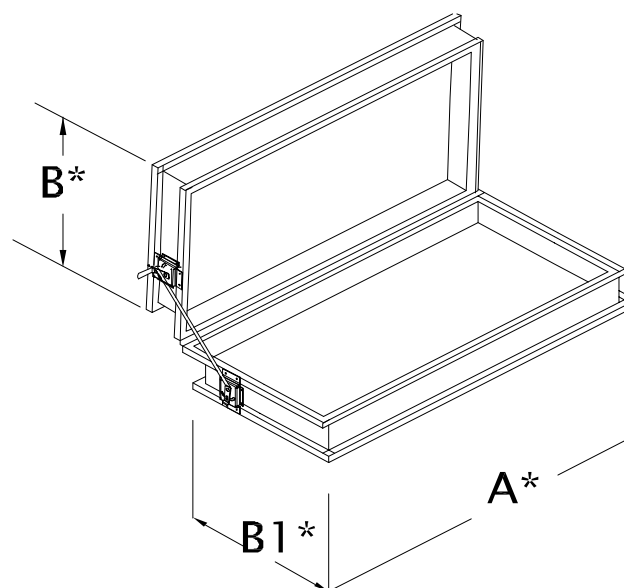
Units supplied approximately 1/4" (6) smaller than given 'opening' dimensions.

Dimensions in brackets () indicate millimeters.

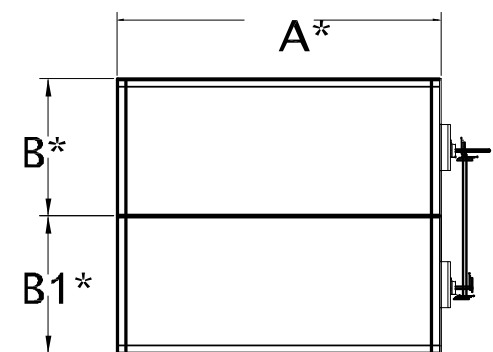
Face and ByPass Dampers are standard Control Dampers assembled either (FBV) one over the other, (FBH) beside each other or (FBR) at right angle from each other. The units are interconnected for simultaneous blade action, typically causing one damper to open while the other closes.



HORIZONTAL STYLE FBH



RIGHT ANGLE STYLE FBR



VERTICAL STYLE FBV

Project:
Location:
Architect
Engineer:

Contractor:
Address:
P.O. Number:
Date: