



**SUBMITTAL DRAWING**  
**AMI - BDD**  
**ALUMINUM BACKDRAFT DAMPERS**

**STANDARD CONSTRUCTION**

**MINIMUM DAMPER SIZE**

Single Section :60" width (1219mm) x 72" H(1829mm)

**MAXIMUM DAMPER SIZE**

Single Blade :6" width (152.4mm) x 6" H(152.4mm)

All dampers are fabricated 1/4" (6.4) under listed size unless specified "actual or exact. Dampers must be installed square and free from racking

**BEARINGS**

Nylon press fit into frame

**LINKAGE BRACKET:**

Aluminum 0.90

**LINKAGE :**

Stainless steel 304

**FRAME**

0.09" Aluminum 5052

**BLADES**

0.06 formed Aluminum 5052 with weatherstrip seal. Width between 5" (127) and 6" (152.4) depending on damper size.

**FINISH**

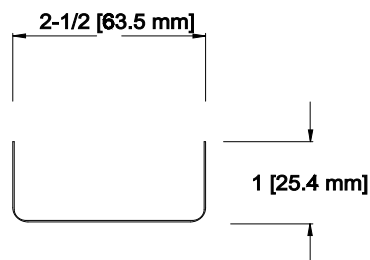
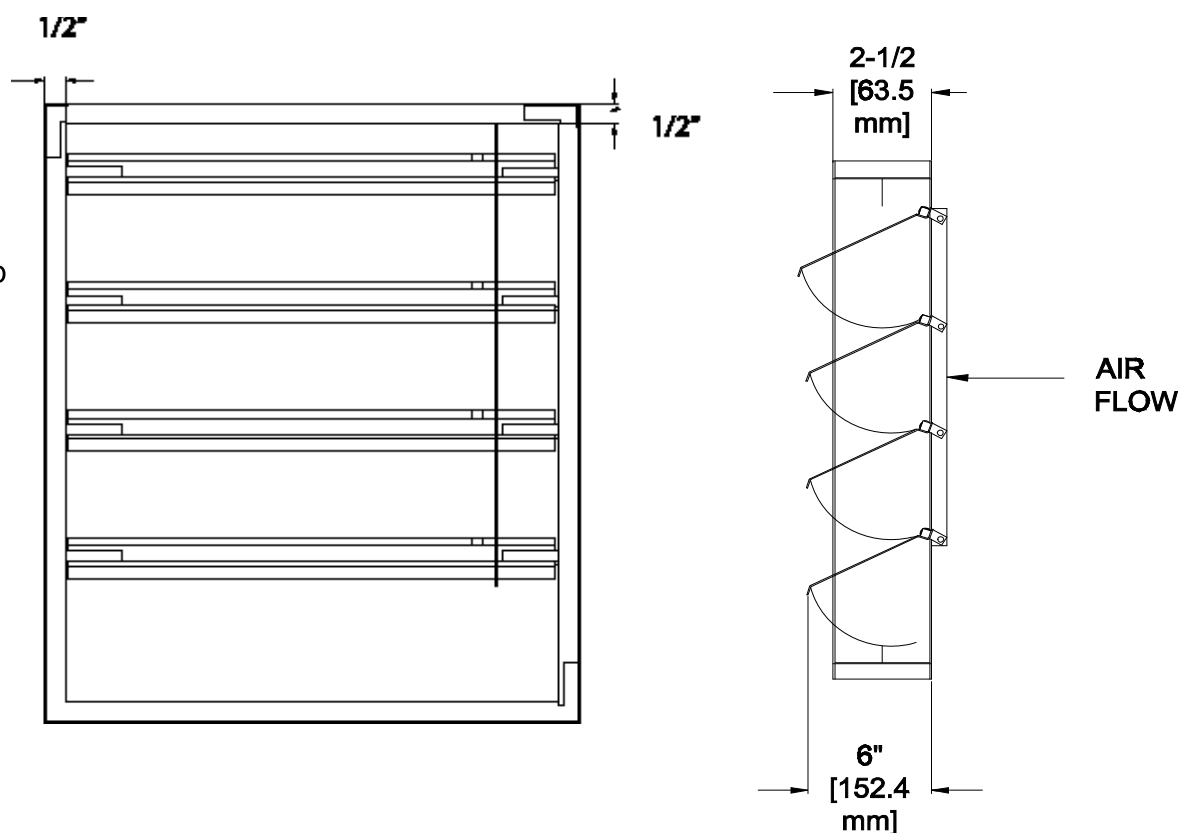
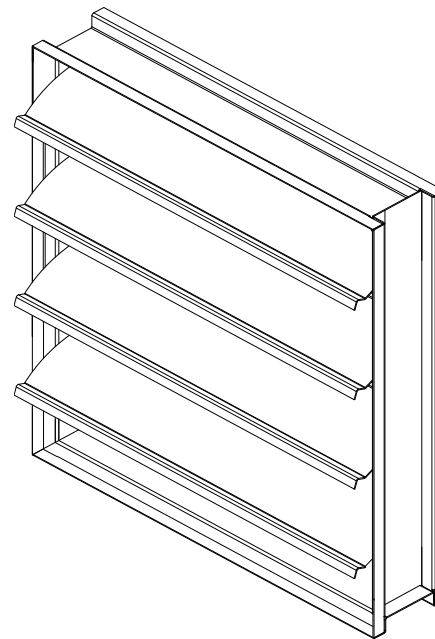
Mill Finish

**AXLES**

1/4" (6.4) diameter Aluminum 5052

**OPTIONS:**

- Counter Balance
- Flange frame (front or rear)
- Electric motor operators
- Chain operator
- Horizontal mount
- Special finishes



CHANNEL FRAME STANDARD

**Flange frame (front or rear) option**

Project:

Location:

Architect

Engineer:

Contractor:

Address:

P.O. Number:

Date: