



# SUBMITTAL DRAWING

## HDBDD4

### HEAVY DUTY BACKDRAFT DAMPER

#### STANDARD CONSTRUCTION

**FRAME**

8" X 2" X 14 ga. steel channel

**BEARINGS**

Ball Bearings pressed into frame

**BLADES**

Maximum width 7" , 16 ga. galvanized steel

**AXLES**

1/2" dia. plated steel

**FINISH**

Mill

**MINIMUM SIZE**

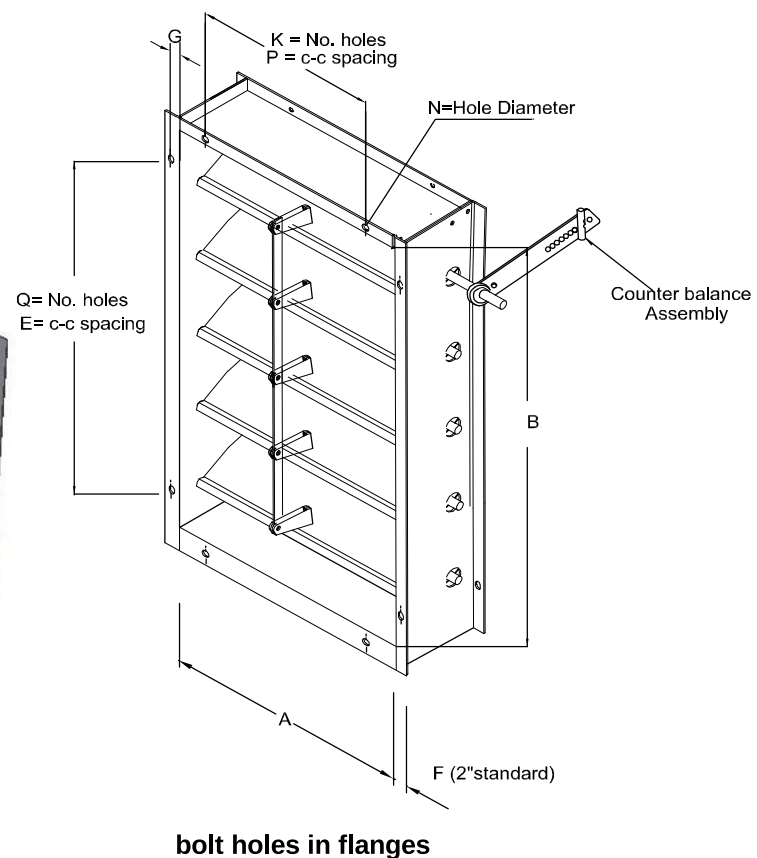
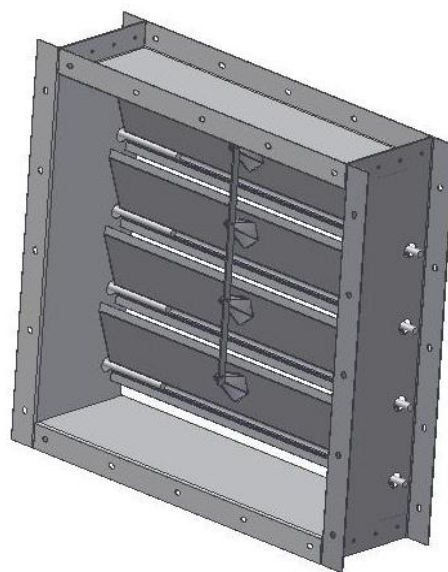
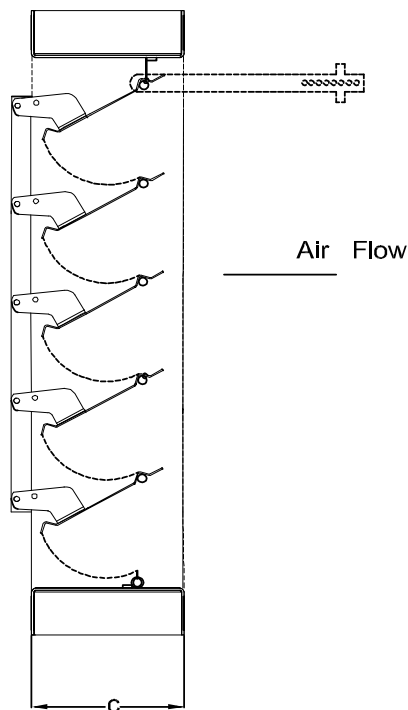
6" w x 6" h

**MAXIMUM SIZE**

48" w x 96" h

**OPTIONS:**

- 304 Stainless Steel Construction



FRAME		BLADES		AXLES		BEARINGS	
14 GA (2) GALV STEEL CHANNEL		16 GA.(1.6) GALV STEEL		1/2" DIA. PLATED STEEL		BALL BEARINGS PRESSED INTO FRAME	
14 GA (2) 304 SS CHANNEL (OPT)		16 GA.(1.6) 304 SS (OPT)		1/2" DIA. 304 SS (OPT)		SS SLEEVE PRESSED INTO FRAME (OPT)	
14 GA (2) 316 SS CHANNEL (OPT)		16 GA.(1.6) 316 SS (OPT)		1/2" DIA. 316 SS (OPT)		RE-LUBE BALL BEARING BOLTED TO FRAME (OPT)	

LINKAGE	SEALS (OPT)	ACCESSORIES (OPT)
FACE LINKAGE IN AIR STREAM (EXPOSED)	BLADE SEALS SILICONE 400° F (200° C) MAX	INTERNAL COUNTER WEIGHTS
SIDE LINKAGE OUT OF AIR STREAM (OPT)	NEOPRENE WIND STOPS 250° F (121°C) MAX	BOLT HOLES ONE FLANGE
		BOLT HOLES BOTH FLANGES
		1 1/2" TO 4" FLANGES

Project:  
Location:  
Architect  
Engineer:

Contractor:  
Address:  
P.O. Number:  
Date: