



SUBMITTAL DRAWING
ACD 340
EXTRUDED ALUMINUM, LOW LEAKAGE
CONTROL DAMPERS

STANDARD CONSTRUCTION

MINIMUM SIZE

Single blade, parallel action 6" w x 6" h
 Two blade, opposed action - 6" w x 10" h

MAXIMUM SIZE

Single blade - 60" w x 72" h
 Multiple section assembly - unlimited size

Unit supplied approximately 1/4" smaller than given 'opening' dimensions

FINISH

Aluminium extruded

BEARINGS

Bronze Oilite

LINKAGE

Concealed in frame

SEALS

Blade edge- Silicone Seal /extruded vinyl
 Jamb- Flexible stainless steel compressible type

CONTROL SHAFT

Removable, 1/2" dia. Shaft extends 6" beyond frame

FRAME

5" X 1" X 6063T5 Extruded Aluminum hat channel with 0.125 minimum wall thickness ,with 1" flanges for flange to duct mount.

OPTIONAL GALVANIZED FRAME

5" X 1" 16 GA. Galvanized steel hat channel reinforced with corner braces for structural strength.

BLADES

4" wide blades , 6063T5 heavy gauge Extruded Aluminum, airfoil design suitable for zero clearance flush mounting.

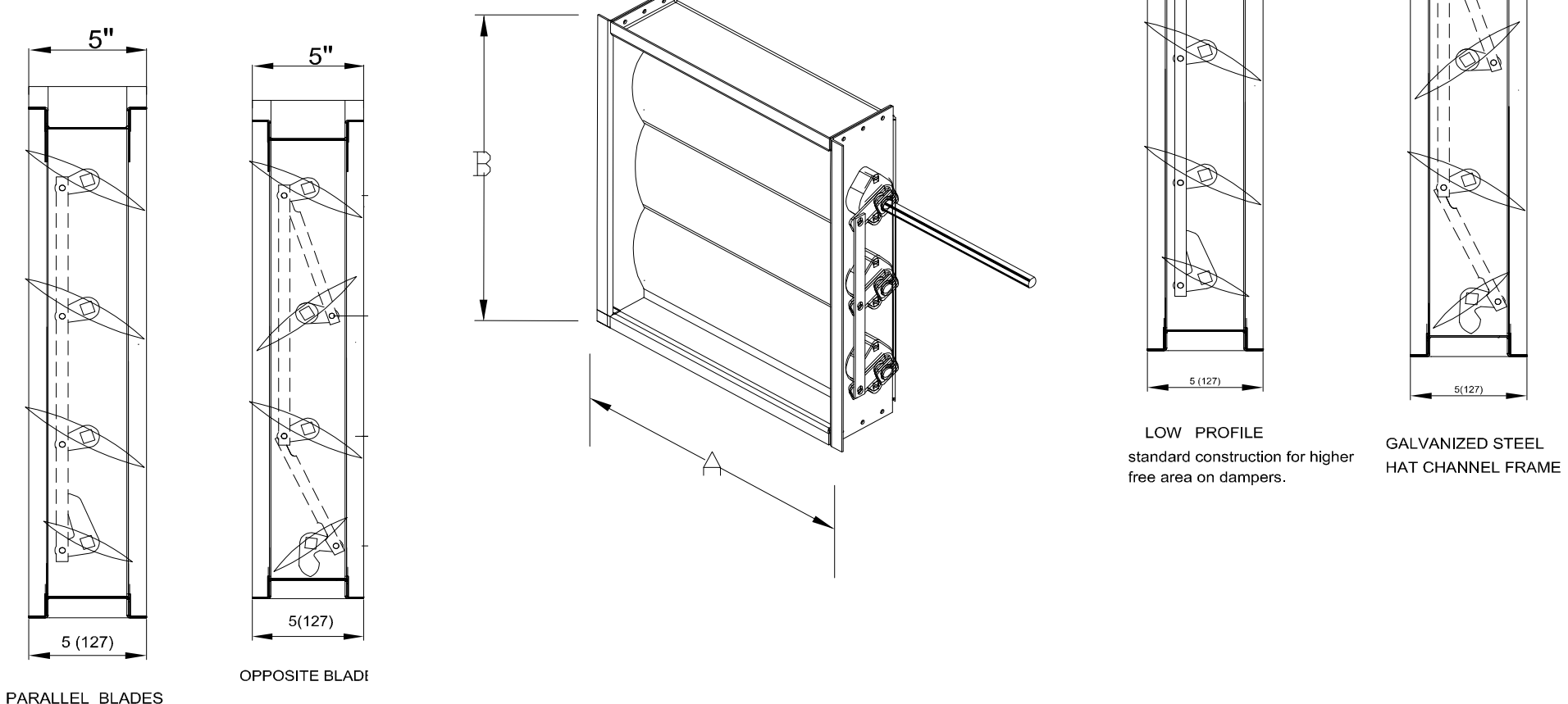
AXLES

1/2" square bar steel
 Jackshaft required on multiple section dampers.

OPTIONS:

- Pneumatic or Electric Actuators
- SP Switch
- Front Flange Frame
- Rear Flange Frame
- Face and Bypass

FRAME CONSTRUCTION OPTIONS



Project:
 Location:
 Architect
 Engineer:

Contractor:
 Address:
 P.O. Number:
 Date: