



**SUBMITTAL DRAWING
AMI - 75 C, CR, CO,
STATIC FIRE DAMPERS**

STANDARD CONSTRUCTION

MAXIMUM SIZE

Vertical Single section - 60" x 53" - and 52" Round
Horizontal Single section 34" x 53" and 52" Round

MINIMUM SIZE

Round: 4"
Vertical: 4" x 3"
Horizontal: 4" x 3"

FINISH
Mill

Fusible Link.
165 deg. F Standard

**Horizontal & Vertical
U.L. Classified
1-1/2 Hour Rating**

FRAME

22 ga. Rollformed Steel frame

MULTIPLE SECTIONS ASSEMBLY

120" x 113" - Vertical
102" x 53" - Horizontal

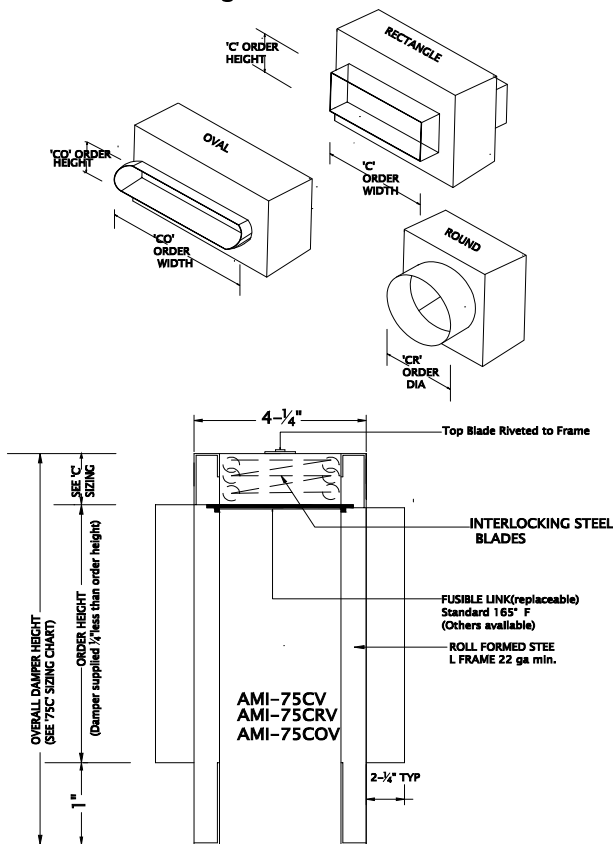
BLADES

22 ga. Interlocking Steel Blades
'Out of the Air Stream'

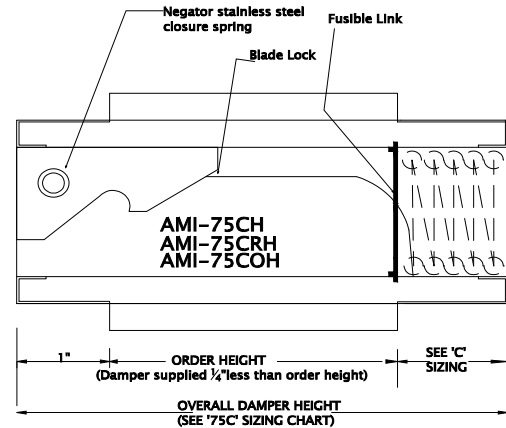
OPTIONS:

- 'C' Rectangular
- 'CR' Round
- 'CO' Oval
- 165 deg. F. Fusible Link
- Vertical Mount
- Horizontal Mount
- 304 Stainless Steel Construction
- 212 deg. F. Fusible Link

TYPE
C
CR
CO



(V) VERTICAL MOUNT



(H) HORIZONTAL MOUNT

HORIZONTAL MOUNTING MODEL INCLUDES STAINLESS STEEL NEGATOR SPRINGS AND BLADE LOCKS



UNDERWRITERS LABORATORIES (UL555)
CLASSIFIED FIRE DAMPERS
FIRE RESISTANCE RATED 1.5 HOURS.
FOR USE IN UL CLASSIFIED BUILDING
MATERIALS RATED 2 HOURS OR LESS.

Project:
Location:
Architect
Engineer:

Contractor:
Address:
P.O. Number:
Date: